

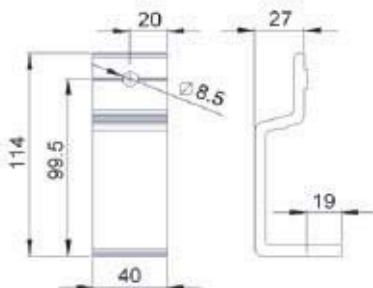
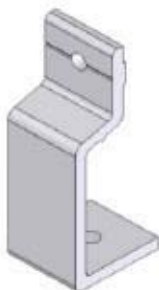
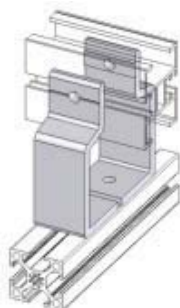
FA Conveyor Accessories



FA SERIES

FAHBS-40

Horizontal beam support bracket - Aluminium



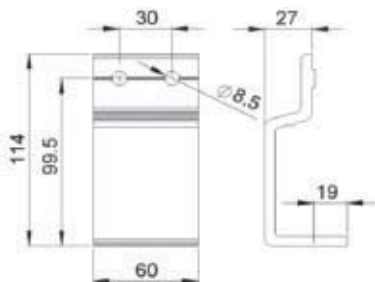
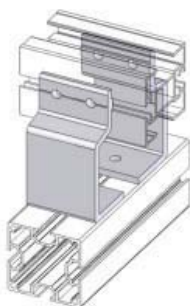
UOM : pc

For 40mm horizontal crossing support beam

Mounting : FATB-20(1) , FALN-M8(1) , FAHB-M8 x16(1) , FASN-M8(1) , FAFW-M8 (2)

FAHBS-60

Horizontal beam support bracket - Aluminium



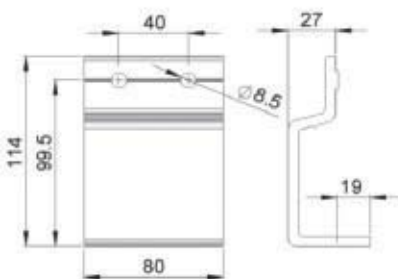
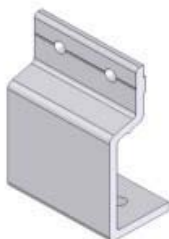
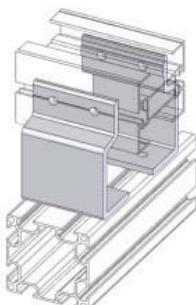
UOM : pc

For 64mm horizontal crossing support beam

Mounting : FATB-20(2) , FALN-M8(2) , FAHB-M8 x16(1) , FASN-M8(1) , FAFW-M8 (3)

FAHBS-80

Horizontal beam support bracket - Aluminium



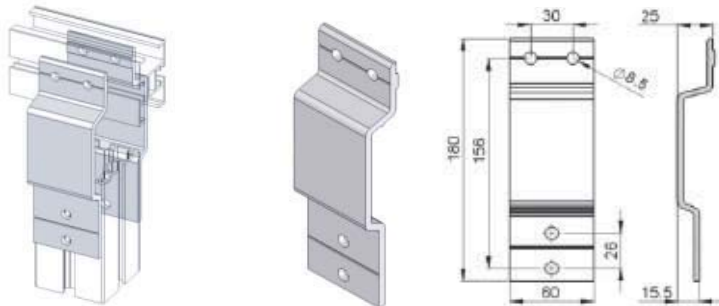
UOM : pc

For 80mm horizontal crossing support beam

Mounting : FATB-20(2) , FALN-M8(2) , FAHB-M8 x16(2) , FASN-M8(2) , FAFW-M8 (4)

FAVBS-60K

Vertical beam support bracket - Aluminium



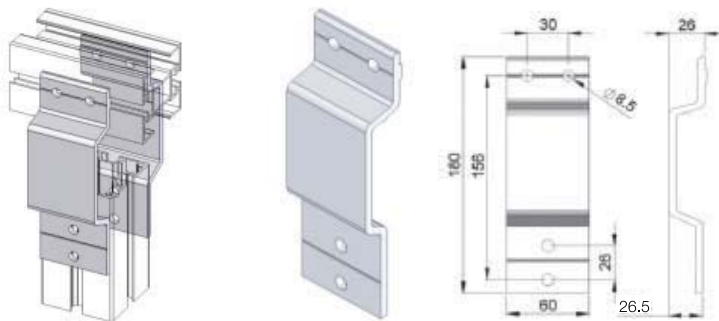
UOM : pc

For FK conveyor with 64mm vertical support beam

Mounting : FATB-20(2) , FALN-M8(2) , FAHB-M8 x16(2) , FASN-M8(2) , FAFW-M8 (4)

FAVBS-60S

Vertical beam support bracket - Aluminium



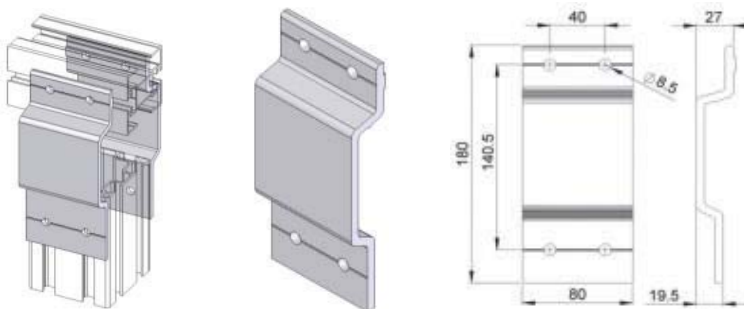
UOM : pc

For FS conveyor with 64mm vertical beam support

Mounting : FATB-20(2) , FALN-M8(2) , FAHB-M8 x16(2) , FASN-M8(2) , FAFW-M8 (4)

FAVBS-80S

Vertical beam support bracket - Aluminium



UOM : pc

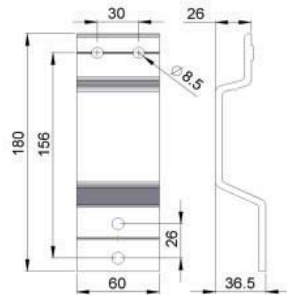
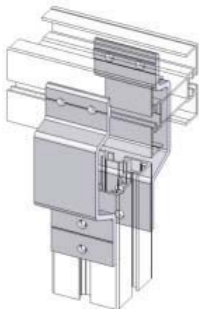
For FS conveyor with 80mm vertical beam support

Mounting : FATB-20(2) , FALN-M8(2) , FAHB-M8 x16(2) , FASN-M8(2) , FAFW-M8 (4)

FA SERIES

FAVBS-60M

Vertical beam support bracket - Aluminium



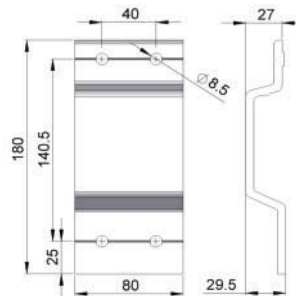
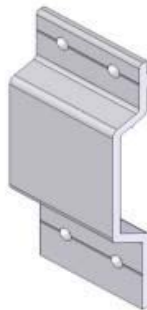
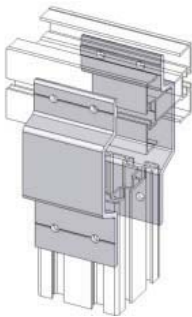
UOM : pc

For FM conveyor with 64mm vertical support beam

Mounting : FATB-20(2) , FALN-M8(2) , FAHB-M8 x16(2) , FASN-M8(2) , FAFW-M8 (4)

FAVBS-80M

Vertical beam support bracket - Aluminium



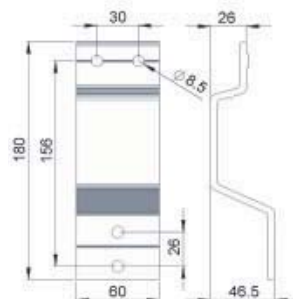
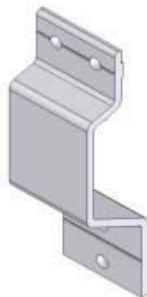
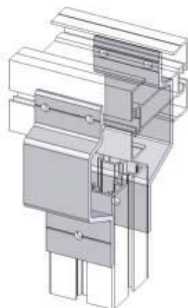
UOM : pc

For FM conveyor with 80mm vertical beam support

Mounting : FATB-20(2) , FALN-M8(2) , FAHB-M8 x16(2) , FASN-M8(2) , FAFW-M8 (4)

FAVBS-60C

Vertical beam support bracket - Aluminium



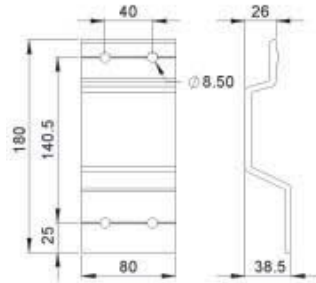
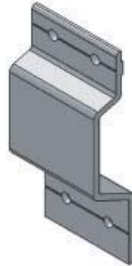
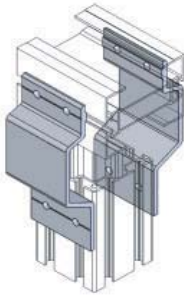
UOM : pc

For FC conveyor with 64mm vertical beam support

Mounting : FATB-20(2) , FALN-M8(2) , FAHB-M8 x16(2) , FASN-M8(2) , FAFW-M8 (4)

FAVBS-80C

Vertical beam support bracket - Aluminium



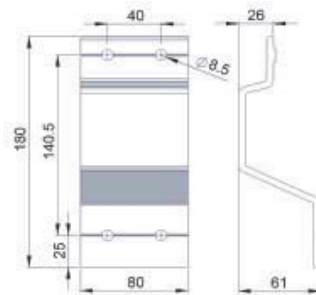
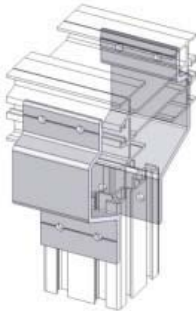
UOM : pc

For FC conveyor with 80mm vertical beam support

Mounting : FATB-20(2) , FALN-M8(2) , FAHB-M8 x16(2) , FASN-M8(2) , FAFW-M8 (4)

FAVBS-80L

Vertical beam support bracket - Aluminium



UOM : pc

For FL conveyor with 80mm vertical beam support

Mounting : FATB-20(2) , FALN-M8(2) , FAHB-M8 x16(2) , FASN-M8(2) , FAFW-M8 (4)



FA SERIES

FAVBS-60KV Vertical beam support bracket with slot - Aluminium

UOM : pc
For FK conveyor with 64mm vertical support beam

Mounting : FATB-20(2) , FALN-M8(2) , FAHB-M8 x16(2) , FASN-M8(2) , FAFW-M8 (4)

Dimensions: $\varnothing 8.5$, 30, 25, 180, 156, 10, 40, 60, 26, 16

FAVBS-60SV Vertical beam support bracket with slot - Aluminium

UOM : pc
For FS conveyor with 64mm vertical beam support

Mounting : FATB-20(2) , FALN-M8(2) , FAHB-M8 x16(2) , FASN-M8(2) , FAFW-M8 (4)

Dimensions: $\varnothing 8.5$, 30, 26, 180, 156, 10, 40, 60, 26, 27

FAVBS-80SV Vertical beam support bracket with slot - Aluminium

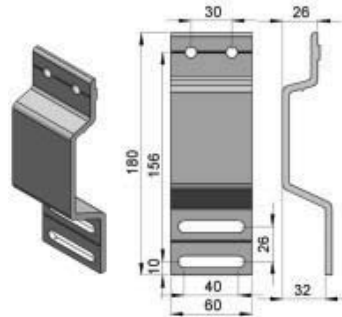
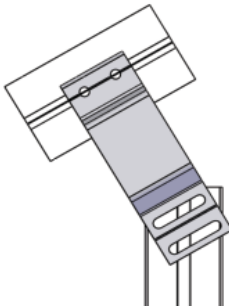
UOM : pc
For FS conveyor with 80mm vertical beam support

Mounting : FATB-20(2) , FALN-M8(2) , FAHB-M8 x16(2) , FASN-M8(2) , FAFW-M8 (4)

Dimensions: $\varnothing 8.5$, 40, 27, 180, 156, 10, 60, 80, 26, 20

FAVBS-60MV

Vertical beam support bracket with slot - Aluminium



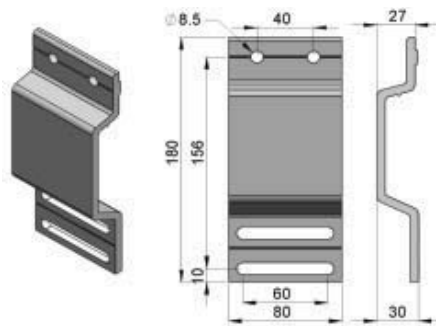
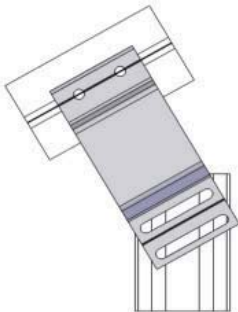
UOM : pc

For FM conveyor with 64mm vertical support beam

Mounting : FATB-20(2), FALN-M8(2), FAHB-M8 x16(2), FASN-M8(2), FAFW-M8 (4)

FAVBS-80MV

Vertical beam support bracket with slot - Aluminium



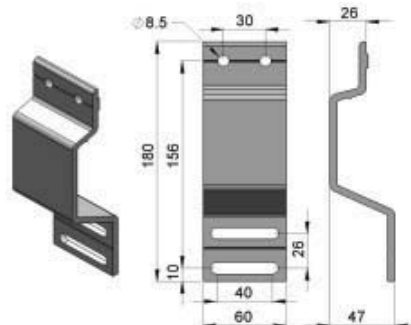
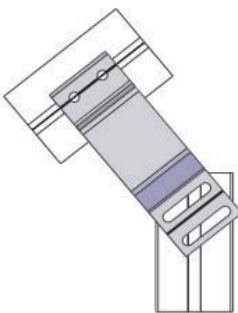
UOM : pc

For FM conveyor with 80mm vertical beam support

Mounting : FATB-20(2), FALN-M8(2), FAHB-M8 x16(2), FASN-M8(2), FAFW-M8 (4)

FAVBS-60CV

Vertical beam support bracket with slot - Aluminium



UOM : pc

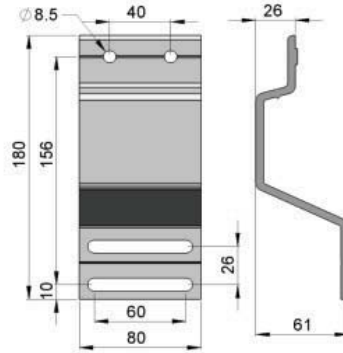
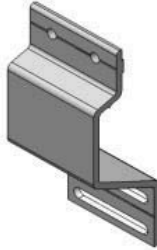
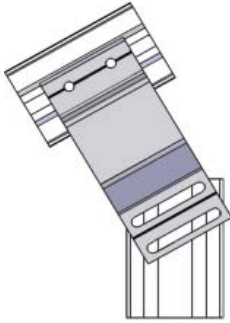
For FC conveyor with 64mm vertical beam support

Mounting : FATB-20(2), FALN-M8(2), FAHB-M8 x16(2), FASN-M8(2), FAFW-M8 (4)

FA SERIES

FAVBS-80LV

Vertical beam support bracket - Aluminium



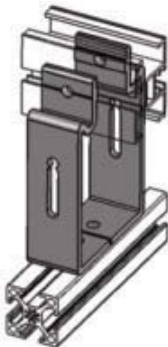
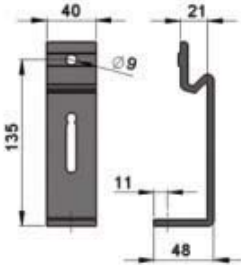
UOM : pc

For FL conveyor with 80mm vertical beam support

Mounting : FATB-20(2) , FALN-M8(2) , FAHB-M8 x16(2) , FASN-M8(2) , FAFW-M8 (4)

FAHBS-40x135

Horizontal beam support bracket - Aluminium

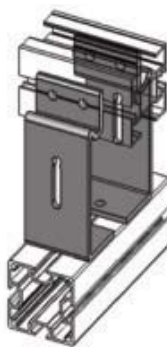
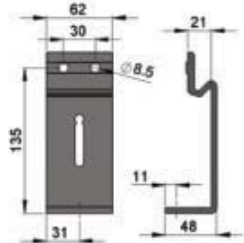


UOM : pc

For 40mm horizontal crossing support beam

FAHBS-62x135

Horizontal beam support bracket - Aluminium

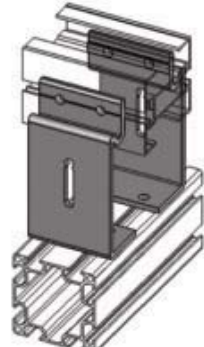
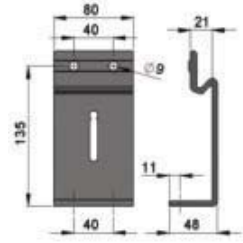


UOM : pc

For 64mm horizontal crossing support beam

FAHBS-80x135

Horizontal beam support bracket - Aluminium

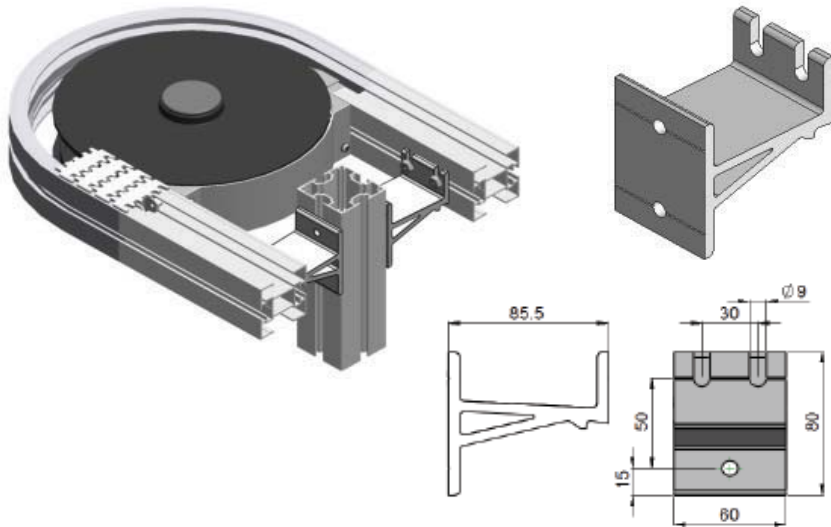


UOM : pc

For 80mm horizontal crossing support beam

FAAL-64

Alpine beam support bracket - Aluminium



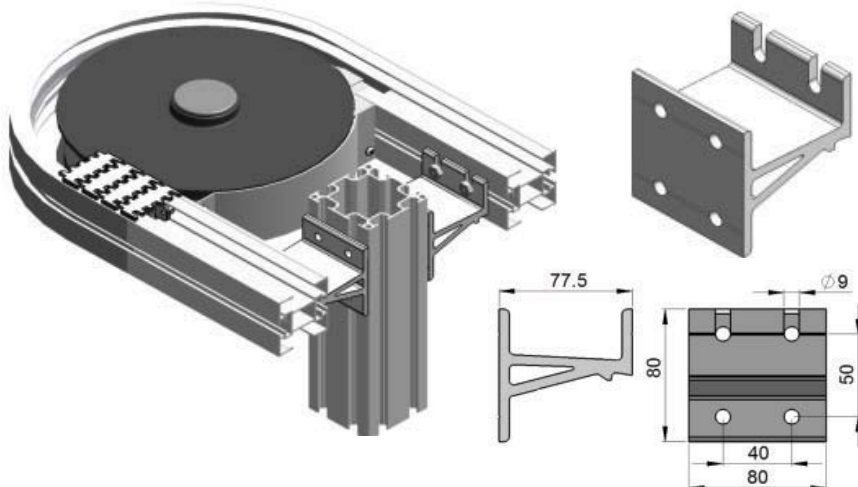
UOM : pc

For support of 180° wheel bend with 64mm vertical beam support

Mounting : FAHB-M8 x16(4) , FASN-M8(4) , FAFW-M8 (4)

FAAL-80

Alpine beam support bracket - Aluminium



UOM : pc

For support of 180° wheel bend with 80mm vertical beam support

Mounting : FAHB-M8 x16(6) , FASN-M8(6) , FAFW-M8 (6)

FA SERIES

FASR-25	HDPE slide rail - White	"Normal Application"
FASR-25U	UHMW-PE slide rail - White	"Low Friction , suitable for accumulation"
FASR-25X	Special PE slide rail - Blue	"Lowest Friction , suitable for accumulation"
FASR-25T	PAPE slide rail - Grey	"High abrasive and High load "
FASR-25A	Conductive slide rail - Black	"For Static sensitive products"
FASR-25CD	Conductive slide rail - Black	"Static conductive "
FASR-25P	PVDF slide rail - White	"For Abrasive application"

13.7

6

FASR-25

FASR-25U

FASR-25X

FASR-25T

FASR-25A

FASR-25CD

FASR-25P

UOM : 25meter / roll

FASLR-4x6 Aluminium rivet for slide Rail

UOM : 50pcs / pk



FASLS-M5 Nylon Set screw for slide rail

UOM : 50pcs / pk

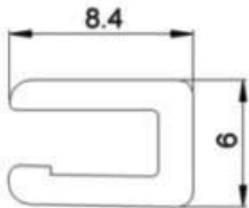


- FASR-25KA
- FASR-25KU
- FASR-25K

Conductive slide rail
 UHMW-PE slide rail
 HDPE slide rail



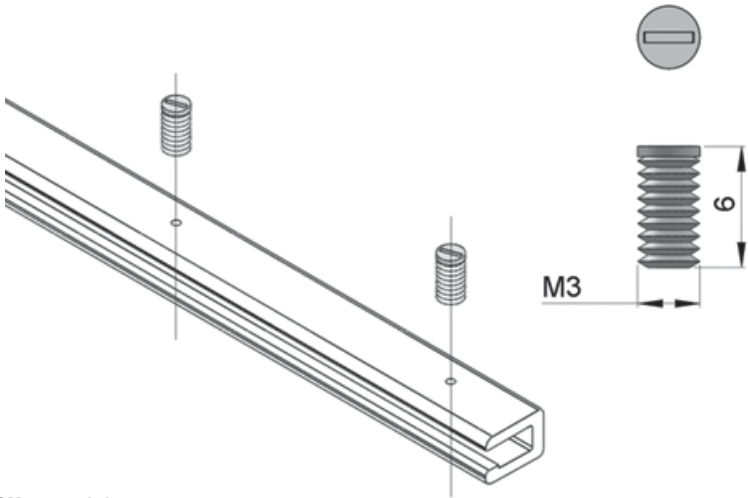
FASR-25KA
 FASR-25KU
 FASR-25K



UOM : 25meter / roll

FASLS-M3

Nylon Set screw for slide rail

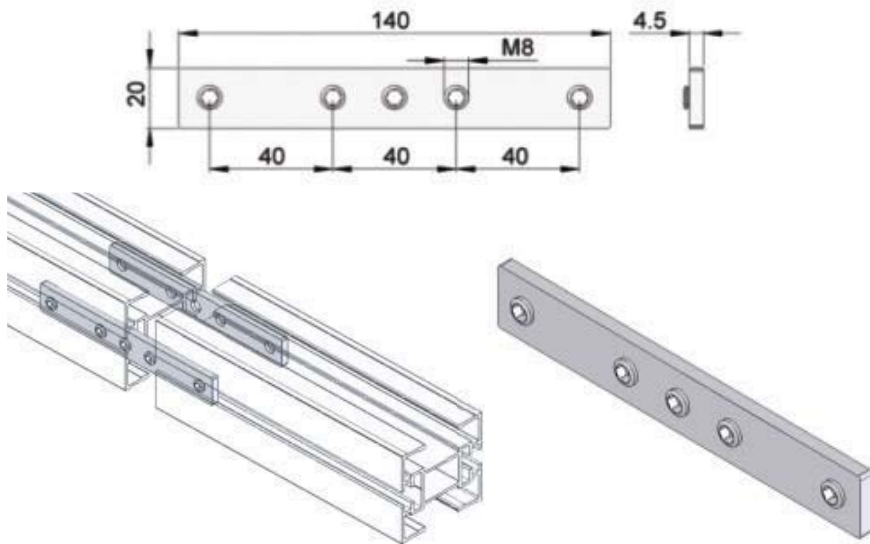


UOM : 50pcs / pk

FA SERIES

FACS-20x140

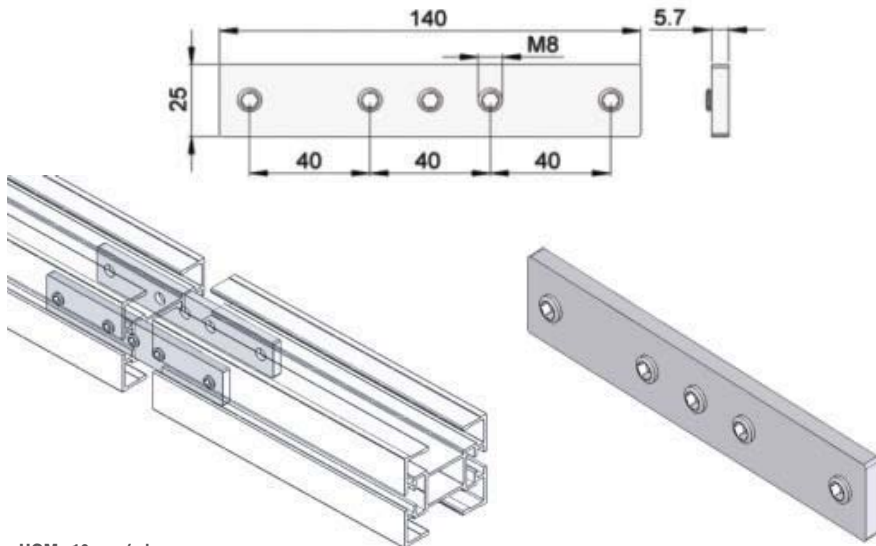
Connecting strip – Steel, electro zinc plated



UOM : 10 pcs / pk

FACS-25x140A

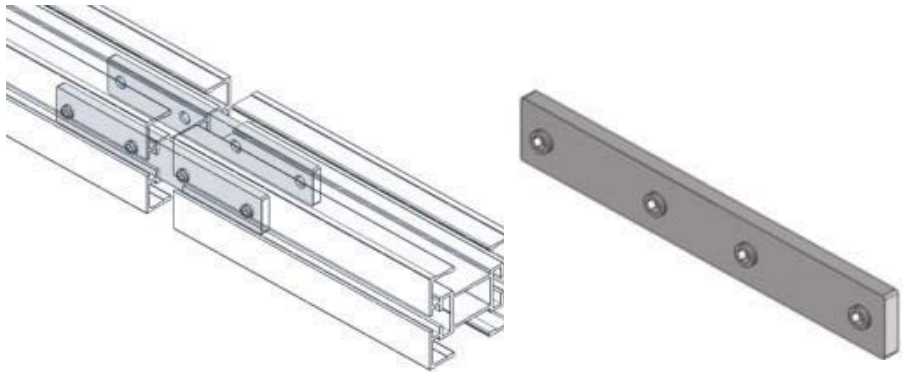
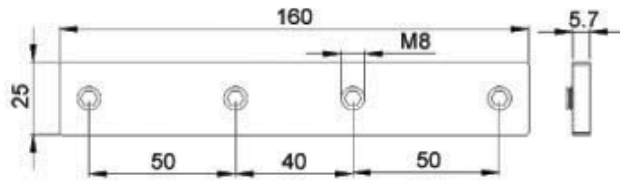
Connecting strip – Steel, electro zinc plated



UOM : 10 pcs / pk

FACS-25x160

Connecting strip – Steel, electro zinc plated



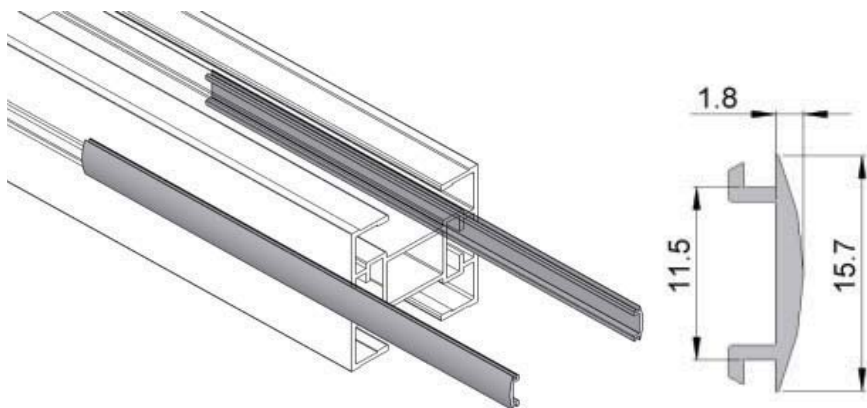
UOM : 10 pcs / pk

FASC-25

T-Slot Cover – Soft PVC (25 meter / Roll)

FASC-3P

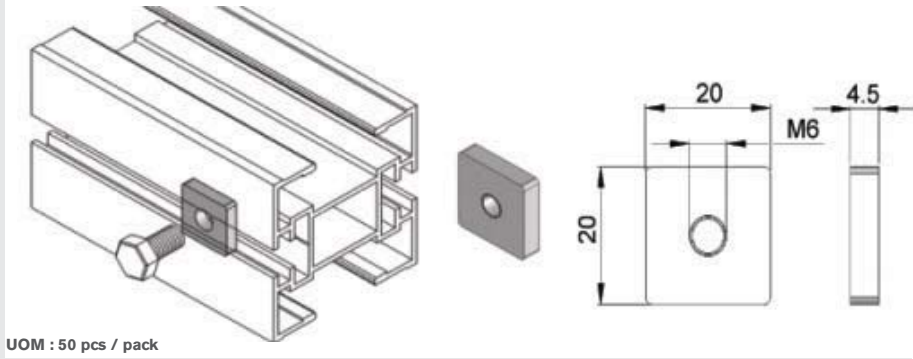
T-Slot Cover – Rigid PVC (3 meter / Length)



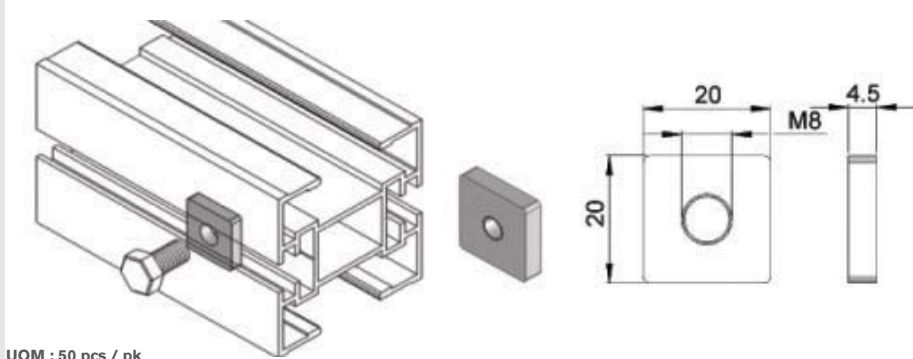
UOM : 25 meter / roll

FA SERIES

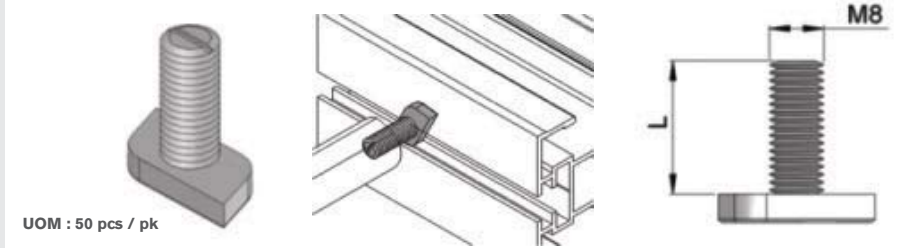
FASN-M6 M6 Square Nut for Outer Slot – Steel, electro zinc plated



FASN-M8 M8 Square Nut for Inner Slot- Steel, electro zinc plated

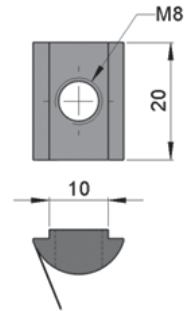
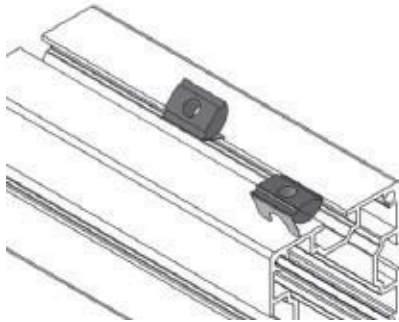


- FATB-20** T-bolt, L = 20 – Steel, zinc plated
- FATB-35** T-bolt, L = 35 – Steel, zinc plated
- FATB-53** T-bolt, L = 53 – Steel, zinc plated
- FATB-71** T-bolt, L = 71 – Steel, zinc plated



FASL-M8

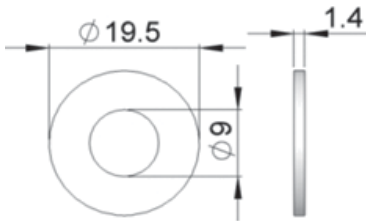
Spring Leaf Nut M8 for 40x40, 64x64, 40x80, 80x80 Support Beam - Steel, zinc plated



UOM : 50 pcs / pk

FAFW-M8

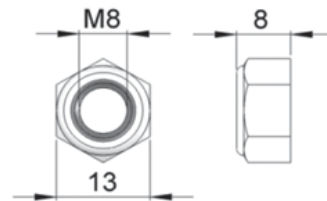
M8 Flat washer- Steel, zinc plated



UOM : 50 pcs / pk

FALN-M8

M8 Lock Nut- Steel, zinc plated



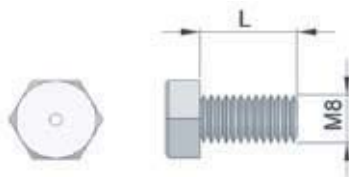
UOM : 50 pcs / pk

FAHB- M8 x 16

FAHB-M8 x 20

Hex bolt, L = 16 - Steel, zinc plated

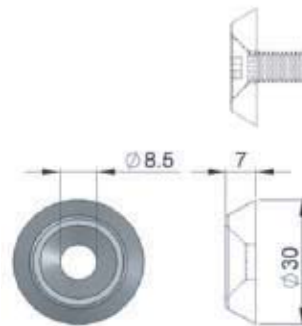
Hex bolt, L = 20 - Steel, zinc plated



UOM : 50 pcs / pk

FACW-M8

Countersunk washer - POM

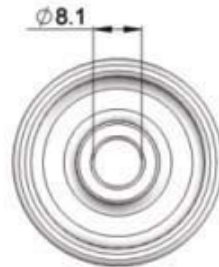
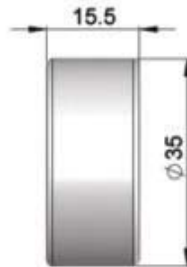


UOM : 50 pcs / pk

FA SERIES

FAFR-35

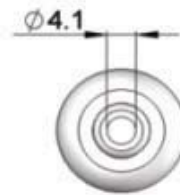
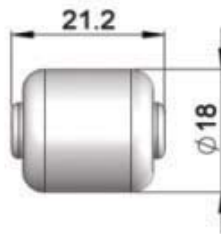
Free roller - POM



UOM : 10 pcs / pk

FAFR-18

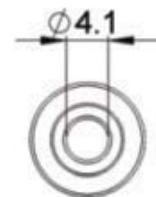
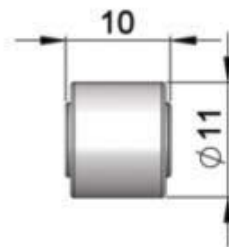
Free roller - POM



UOM : 10 pcs / pk

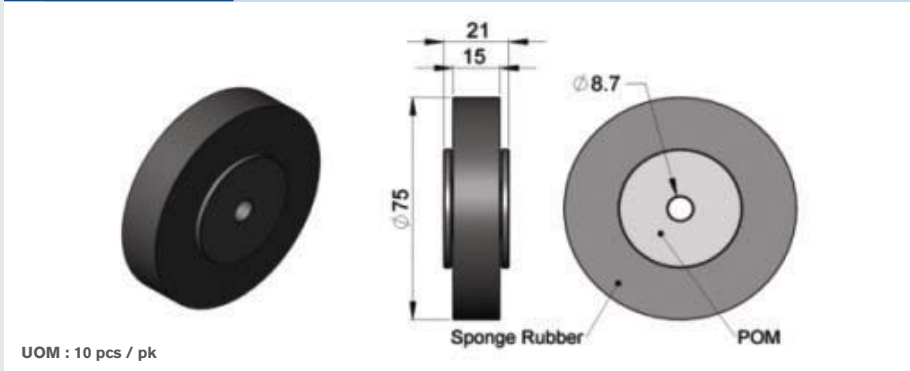
FAFR-11

Free roller - POM

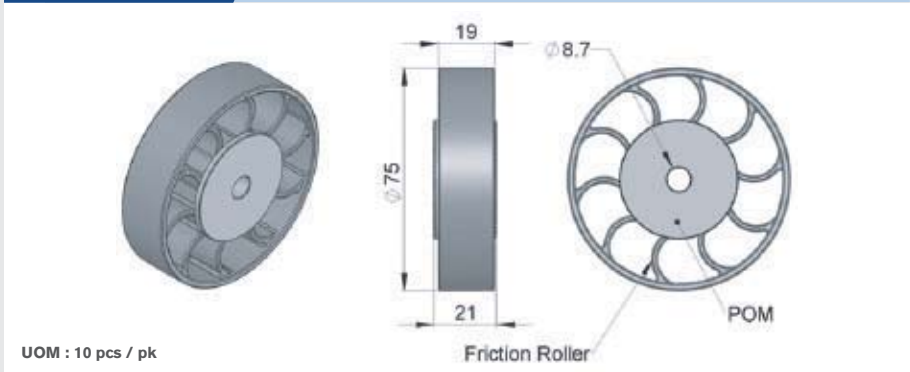


UOM : 10 pcs / pk

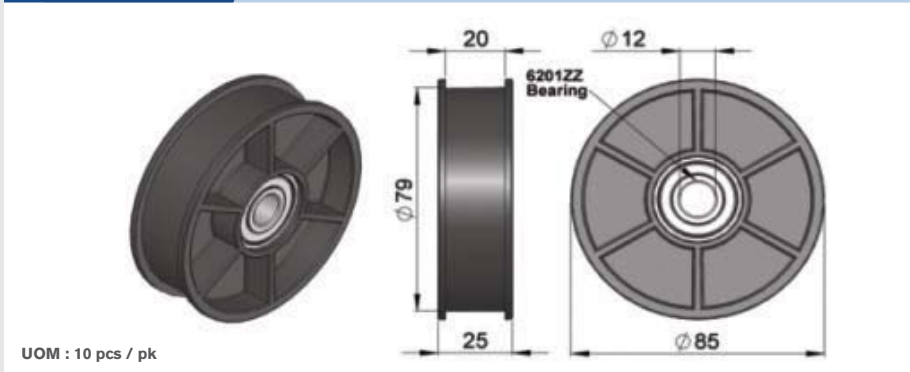
FASR-75x15 Sponge roller, Sponge rubber



FASR-75x19P PVC Roller c/w POM core & Screw



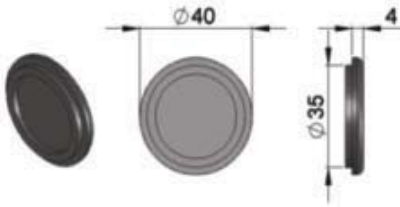
FAFR-75 Belt Pulley – Polyamide



FA SERIES

FAEC-DH

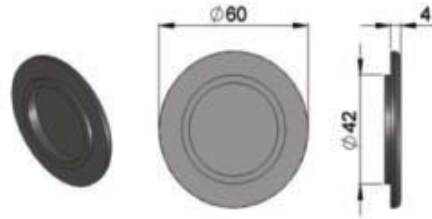
End cap for drive shaft - Polyamide



UOM : 10 pcs / pk

FAEC-WH

End cap for wheel - Polyamide



UOM : 10 pcs / pk